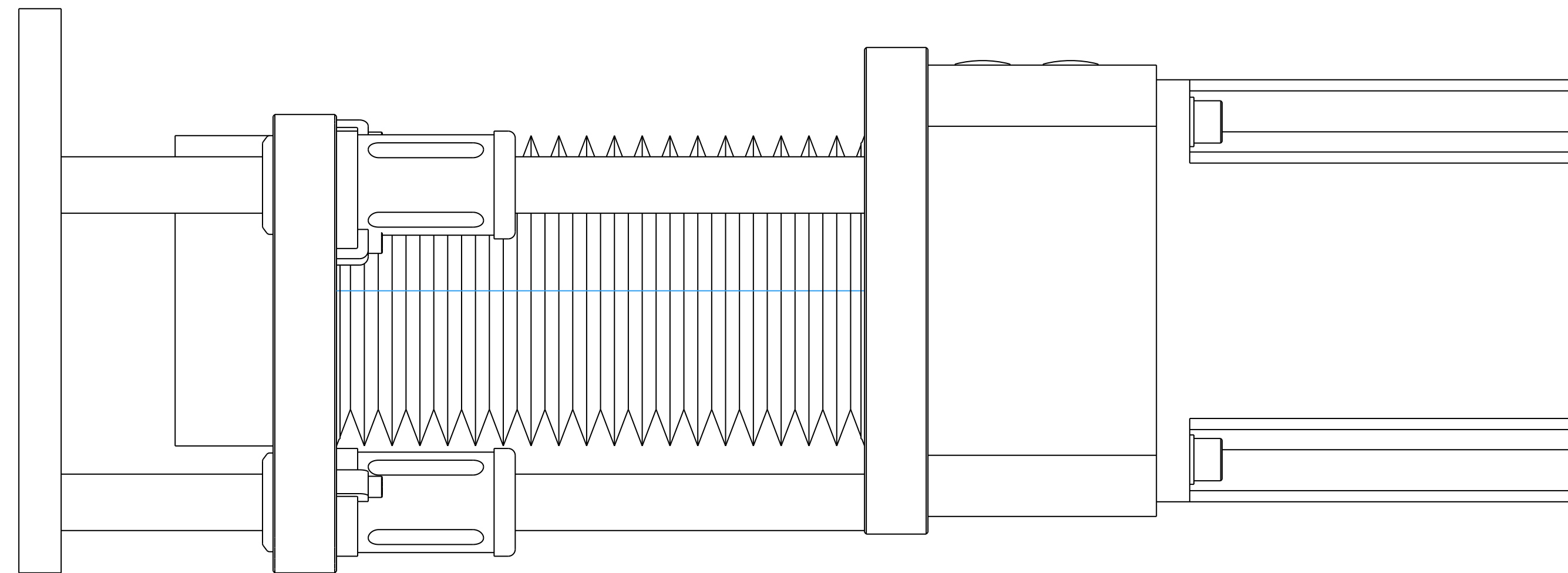
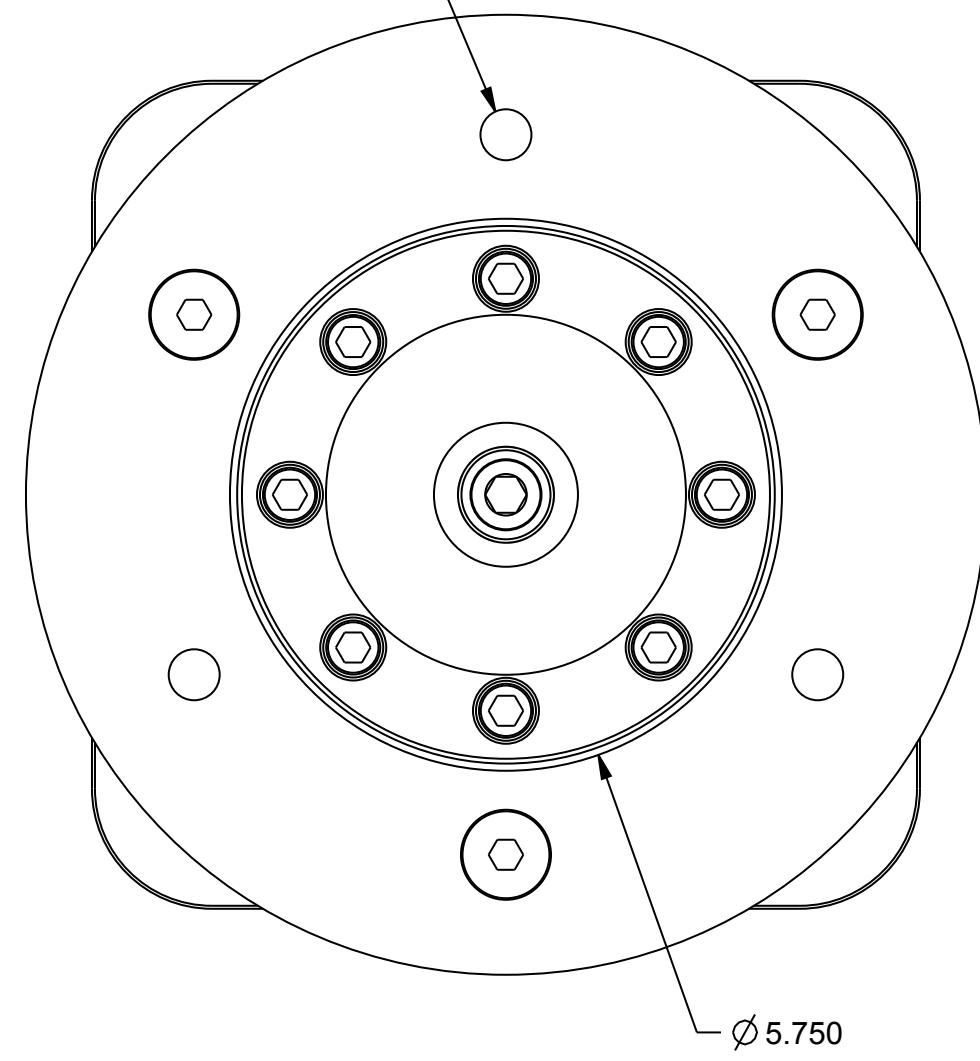
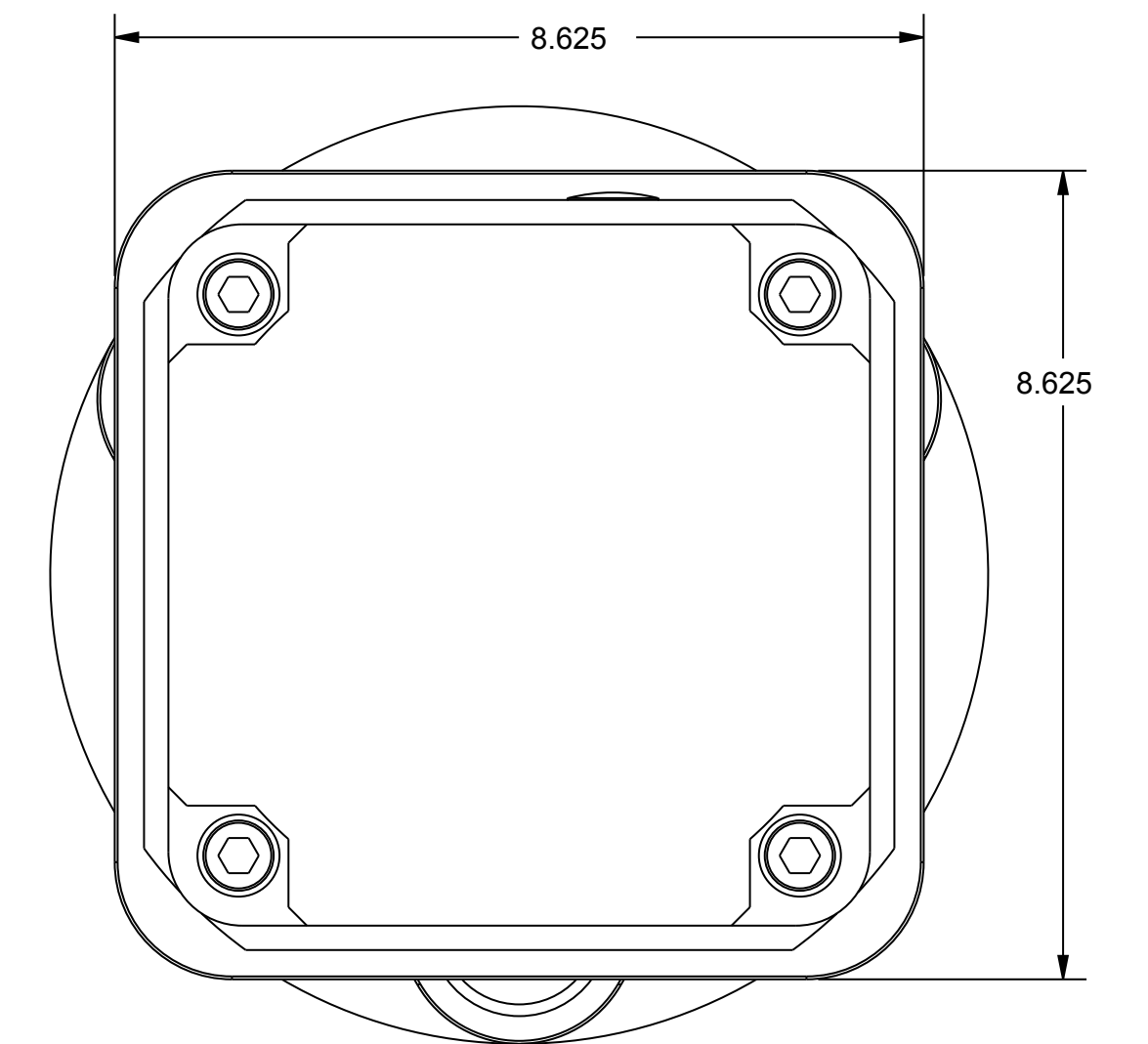


(3) Ø .531 HOLES EQUALLY SPACED  
ON A 7.500 DIA. BOLT CIRCLE



SCALE 0.500



SYM	REVISION RECORD	
PROJECT		
CUSTOMER		
DATE	DRAWN BY	D.BAYLISS
DEFAULT TOLERANCES UNLESS OTHERWISE SPECIFIED	DRAWING TITLE	
DECIMALS ±	FIRST MADE FOR	
FRACTIONS ±	SCALE	JOB NUMBER
ANGLES ±	DRAWING NUMBER	MAIN
SURFACES ✓		